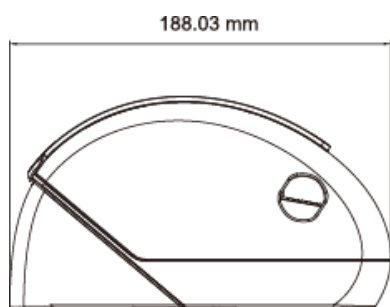
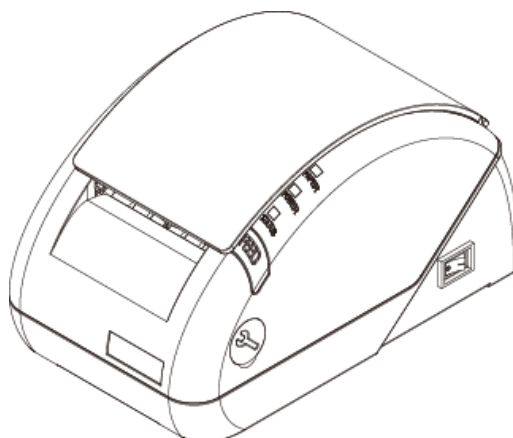


## Compact Thermal Receipt Printer

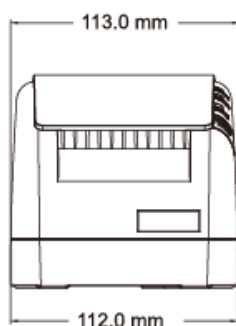
### PRP-058K



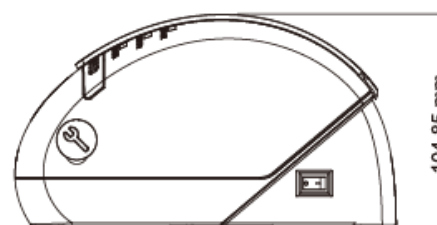
- Dimensions**



**Left View**



**Rear View**



**Right View**



- Specifications**

<b>Model</b>		<b>PRP-058K</b>
<b>General</b>		
Print Method	Thermal line printing	
Print Speed	90 mm/sec	
Print Life	150Km	
Print Font (ASCII Mode)	ANK Character: Font A: 12 x 24dots Font B: 9 x 17dots	
Print Font (Graphic Font)	Simplified/Traditional: 24 x 24dots	
Print Resolution	384 dots/line	
Print Font Character Support *	International Font, Big 5 Chinese, GB Chinese, Korean selectable	
Character Per Line	32 (Font A) / 42 (Font B) / 16 (Graphic)	
Effective Print Width	48mm	
Paper Width	57.5mm± 0.5mm	
Paper Roll Diameter	65mm	
Paper Thickness	0.06~0.08mm	
Driver	Win 2000/ Win 2003/ Win XP/Win Vista/Win 7	
Print Command	ESC/POS print commands set compatible	
<b>Interface</b>		
Serial	1 x RS-232 DB9 female connector, 9600 bps ~ 38400 bps baud-rate	
USB	1 x USB	
Cash Drawer	1 x +12VDC/1A, 6-Wire RJ-11 Socket	
<b>Others</b>		
Power Input	+12VDC/3A (with External Adapter 110V/220V, 3A, 50/60Hz)	
Color	Black	
Compliance	FCC / CE	
Weight	778.6 g	
Dimension	112(W) x 105(H) x 185 (D)	
Operating Temperature	0°C~45°C	
Operating Humidity	10%~80% RH non-condensing	
Storage Temperature	-10°C~60°C	
Storage Humidity	10%~90% RH non-condensing	

