



HIGH-CAPACITY CARD PERSONALIZATION MODULES FOR SELF-SERVICE KIOSKS

KM500B and KM2000B printers offer great autonomy to self-service kiosks, providing continuous service and availability. These card personalization modules are built on demand to fit your needs perfectly.

AUTONOMY AND FLEXIBILITY

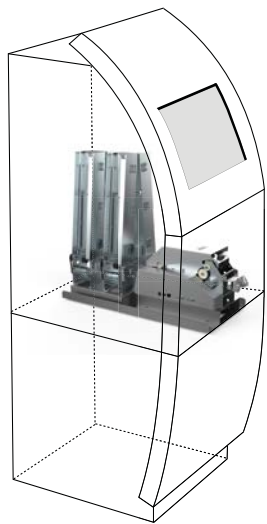
- Thanks to the high feeder capacity of the KM500B and KM2000B printers (500 and 2,000 cards respectively), the frequency of card and ribbon loading operations is reduced.
- The KM2000B module can manage up to 4 different designs of pre-printed cards, according to your needs.

CONFIGURATION ON DEMAND

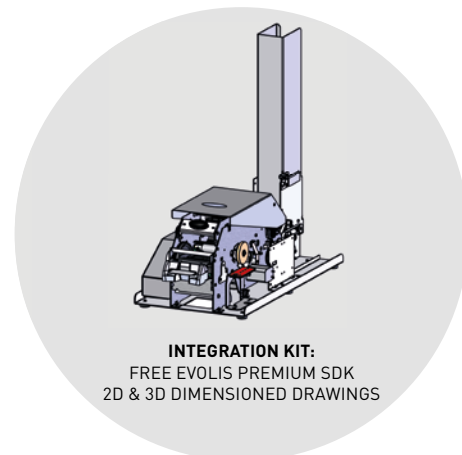
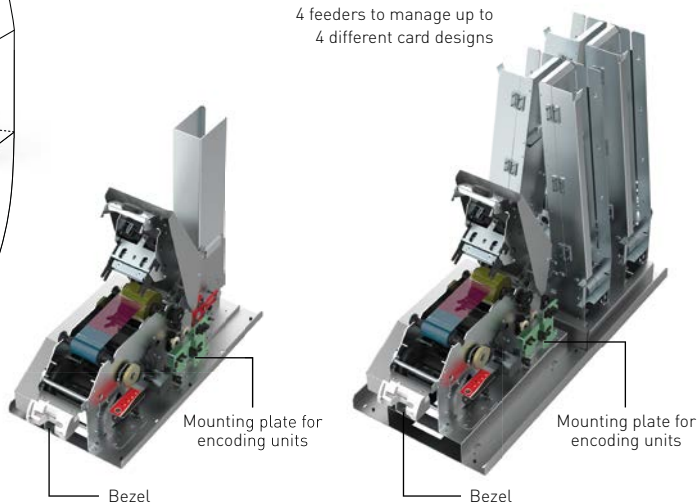
- KM500B and KM2000B solutions are fully modular: they can print either single or dual sided cards. Already equipped with an encoder for magnetic stripe, they can be upgraded with encoders for contact and contactless smart cards.
- You can easily configure card management: cards returned using an exit slot and different configuration possibilities like frontal or rear feeding and card exit.

EASY TO USE

- In order to limit and facilitate everyday maintenance operations, KM500B and KM2000B printers offer remote notifications on the status of the printer and consumables such as the card or ribbon level alert.
- Thanks to the Evolis Premium SDK, you can integrate KM500B and KM2000B into your own application and monitor them over a local network or the cloud.



4 feeders to manage up to 4 different card designs



INTEGRATION KIT:
FREE EVOLIS PREMIUM SDK
2D & 3D DIMENSIONED DRAWINGS

MAIN FEATURES

GENERAL FEATURES

- Dual-sided printing module
- Edge-to-edge printing
- Color dye sublimation, monochrome thermal transfer
- Magnetic stripe encoder ISO 7811 HiCo/LoCo
- Smart contact station
- Standard 300 x 300 dpi resolution
- 16 MB memory (RAM)

PRINTING PERFORMANCES

- Single side:
 - Color (YMCKO): 30 s per card
 - Monochrome: 9 s per card
- Dual side:
 - Color (YMCKO-K): 38.5 s per card

INTERFACES

- USB (1.0, 1.1, 2.0, 3.0)
- Ethernet TCP-IP 10BaseT, 100BaseT (Traffic Led)
- Option upon request: serial port

LOADING AND RETURNING CARDS

- KM500B: single feeder unit: 500 cards
- KM2000B: 4 x 500-card feeder
- Manual insertion and return with bezel
- Reject slot for defective cards
- Ability to retract unretrieved cards

CARD SPECIFICATIONS

- Card thickness: 0.76 mm (30 mil)
- Card types: PVC cards, composite PVC cards, PET cards, ABS cards¹, special varnished cards¹
- Card format: ISO CR80 - ISO 7810 (53.98 mm x 85.60 mm)

DISPLAY

- Printer LEDs
- Printer graphical notifications: cleaning alerts, empty/low level ribbon and cards alert...

ADDITIONAL ENCODING MODULES

- Available modules:
 - Contact smart card encoder - PC/SC, EMV 2000-1
 - Contactless smart card encoder - ISO 14443A, B, ISO15693, MIFARE, DESFire, HID iCLASS
 - Other specific encoders upon request
- Internal USB or IP ports
- Options can be combined

SAFETY

- Data encryption for magnetic encoding

EVOLIS HIGH TRUST® RIBBONS

To maximize the quality and durability of printed cards, the lifespan of the print head and the overall printer reliability, use Evolis High Trust® ribbons.

- Ribbon capacity:
 - YMCKO: 500 prints/roll
 - YMCKO-K: 500 prints/roll
 - ½ YMCKO: 400 prints/roll
 - KO: 500 prints/roll
 - Black monochrome ribbon: 3000 prints/roll¹
 - Other monochrome ribbons: 1000 prints/roll¹
 - BlackFlex (for ABS & special varnished cards): 1000 prints/roll
- Ribbon saver for monochrome printing

SOFTWARE

- Compatible with Windows® (32/64 bits): XP SP3, Vista, W7, W8, W10
- Mac OS X (from 10.6 onwards)
- Linux upon request
- Evolis Premium Suite®:
 - Printer driver
 - Evolis Print Center for printer administration and settings
 - Evolis Printer Manager for graphical notification²
 - 24/7 online support
- Evolis Premium SDK free of charge for remote supervision of the printer, while facilitating and speeding up integration into IT systems

OPERATING ENVIRONMENT

- Standard operating temperature and humidity rate:
 - 15° / 30° C (59° / 86° F)
 - 20% to 65% non-condensing
- Min / Max operating temperature and humidity rate³:
 - 0° / 40° C (32° / 104° F)
 - 20% to 65% non-condensing
- Min / Max storage temperature: -5° / +70° C (23° / 158° F)
- Storage humidity rate: 20% to 70% non-condensing
- Operating ventilation: free air

CERTIFICATIONS AND STATEMENT OF COMPLIANCE

- CE, FCC, ICES, VCCI, CCC
- RoHS

SIZE AND WEIGHT

- Size (H x W x D):
 - KM500B: 492 x 250 x 529 mm (19.37" x 9.84" x 20.83") with feet: H: 500 (19.68")
 - KM2000B: 571 x 300 x 710 mm (22.48" x 11.81" x 27.95") with feet: H: 579 mm (22.79")
- Weight:
 - KM500B: 11.5 kg (24.25 lbs)
 - KM2000B: 26.5 kg (57.32 lbs)

WARRANTY⁴

- 1-year warranty (excluding print head)
- Warranty extension available as an option

¹ Under specific conditions / ² Requires the .net 4.0 client profile version / ³ Under specific conditions and project qualification
⁴ Warranty subject to observance of specific conditions and use of Evolis High Trust® ribbons



ISO 9001: 2008

evolis